

GLOBE CHECK VALVE type CK10K

CARBON, ALLOY & STAINLESS STEEL

PN16-PN40
DN15-DN200



Standards

Design	EN 13709 EN 12516
Face to face	EN 558-1 EN 12982
Flanges	EN 1092-1
Welded ends	EN 12627
Labeling	EN 19
Pressure test	EN 12266-1
CE-marked	acc. to PED93/23, category 3

FEATURE

- Non return globe valve in cast steel, forged steel for BW-ends DN15 to DN50
- Straight patten with vertical stem and bolted bonnet
- Spring in SS
- Flanged or butt welded ends
- Welded seat
- Seat in Cr-steel or Stellite

APPLICATION

Water, steam, and other medium which not damage the internal components. Are used within all types of industries. The valve are designed to prevent back flow. Valves with spring can be installed in any position

Technical data

Dimension	DN15 to DN200 BW-ends in forged steel, DN15 - DN50
Material	Carbon steel, alloy steel and stainless steel
Pressure class	PN16 to PN40
Temperature range	-10 to 530°C
Connection	Flanged ends - Cast steel Butt weld - Forged steel
Seat	13 Cr, Stellite
Spring	Stainless steel

Table 1 - Pressure/temperature range for material in group 13E0 and 14E0 according to EN 1092-1

Body material	PN	RT	100	150	200	250	300	350	400	450	500	530	550
Stainless steel 13E0, 1.4404	16	14,7	12,1	11,0	10,2	9,6	9,0	8,7	8,4	8,1	7,8	7,6	7,3
	25	36,8	30,3	27,5	25,5	24,1	22,7	21,9	21,2	20,3	19,6	19,2	18,4
	40	36,8	30,3	27,5	25,5	24,1	22,7	21,9	21,2	20,3	19,6	19,2	18,4
Stainless steel 14E0, 1.4408	16	14,7	12,5	11,4	10,6	9,8	9,3	9,0	8,7	8,5	8,4	8,3	8,2
	25	36,8	31,3	28,5	26,4	24,7	23,4	22,6	21,8	21,4	21,0	20,8	20,7
	40	36,8	31,3	28,5	26,4	24,7	23,4	22,6	21,8	21,4	21,0	20,8	20,7

Table 2 - Pressure/temperature range for material in group 3E0 and 5E0 according to EN 1092-1

Body material	PN	RT	100	150	200	250	300	350	400	450	500	520	530
Carbon steel 3E0, 1.0619/1.0460	16	16,0	14,9	13,9	12,4	11,4	10,3	9,6	9,2				
	25	40,0	37,3	34,7	30,2	28,4	25,8	24,0	23,1				
	40	40,0	37,3	34,7	30,2	28,4	25,8	24,0	23,1				
Alloy steel 5E0, 1.7357/1.7335	25	40,0	40,0	40,0	38,2	35,6	30,2	28,4	26,7	25,8	18,0		
	40	40,0	40,0	40,0	38,2	35,6	30,2	28,4	26,7	25,8	18,0		

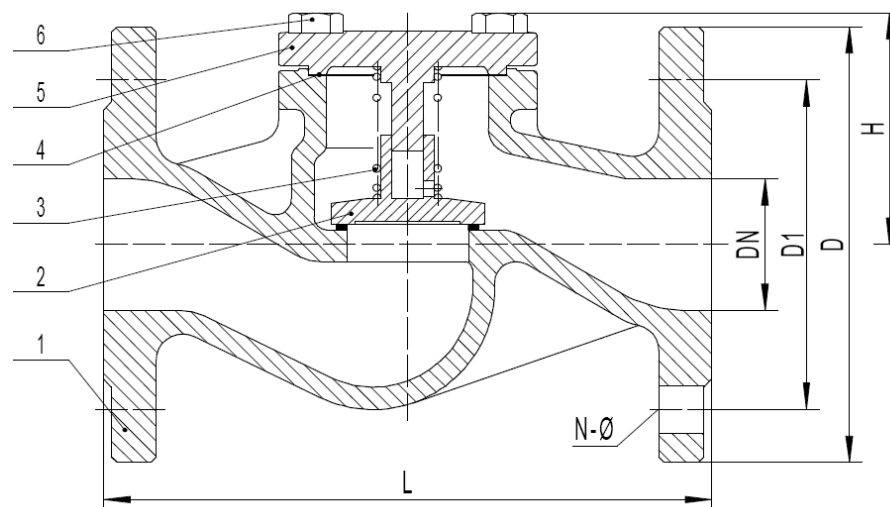
GLOBE CHECK VALVE type CK10K

CARBON, ALLOY & STAINLESS STEEL

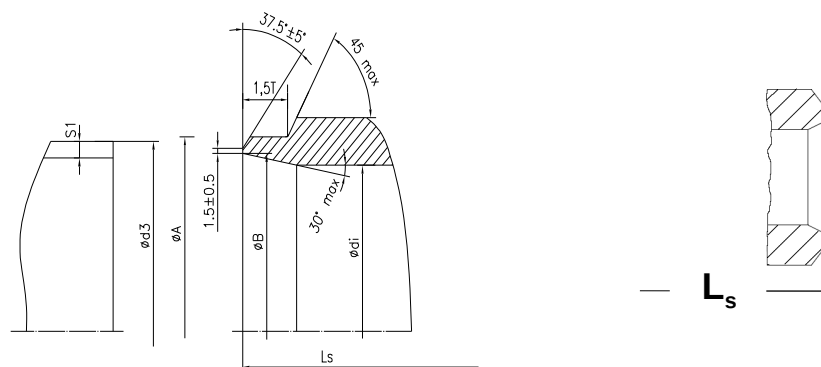
PN16-PN40
DN15-DN200



CASTED VALVES
FLANGED VALVE



BUTT WELD
ENDS



For pipe wall thickness $S1 \leq 4\text{mm}$ For pipe wall thickness $4\text{mm} < S1 \leq 22\text{mm}$

Table 3 - Material specification

Pos	Details	Carbon steel 3EO		Alloy steel 5EO	Stainless steel 11EO		Stainless steel 14EO	
		-20°C to 350°C	-20°C to 400°C	-20°C to 530°C	-10°C to 500°C	-10°C to 200°C	-10°C to 550°C	-10°C to 200°C
1	Body	1.0619/1.0460		1.7357 /1.7335	1.4308		1.4408	
2a	Disc	1.0460		1.7335	A351 CF8		A351 CF8M	
2b	Seat	min 13% Cr	Stellite	Stellite	A182 F304	PTFE	A182 F316	PTFE
3	Spring	A182 F316		A182 F316	A182 F316		A182 F316	
4	Gasket	Graphite+F316/PTFE+F316		Graphite+316/PTFE+316	Graphite+F316		Graphite+F316	
5	Flange	1.0619		1.7357	1.4308		1.4408	
6	Bolt	A193 B7		A193 B7	A 320 B8		A 320 B8	

GLOBE CHECK VALVE type CK10K

CARBON, ALLOY & STAINLESS STEEL

PN16-PN40
DN15-DN200



Table 4 - Dimensions and weights PN16, PN25, PN40

Face to face: Flanged acc. to EN 558-1, serie 1, and acc.to EN1092-1, type B1

Face to face: Butt welded acc.to EN12982, serie 1, and acc.to EN12627

DN	PN	L	D	D1	N- Φ d	Weight H _t	LS	Weight H _s	H	Kv Z=4,4
mm		mm	mm	mm	noxmm	kg	mm	Kg	kg	m ³ /h
15		130	95	65	4x14	3,4	130	2,4	60	3,9
20		150	105	75	4x14	3,9	150	2,6	65	6,9
25	16-25/40	160	115	85	4x14	4,6	160	2,9	75	11
32		180	140	100	4x18	6,4	180	3,6	78	17,6
40		200	150	110	4x18	8,2	200	4,9	85	27,8
50		230	165	125	4x18	10,8	230	6,5	90	43
65		290	185	145	8x18	16,3	290	11,2	105	71
80		310	200	160	8x18	22,5	310	16,8	125	112
100	16	350	220	180	8x18	32	350	24,5	145	174
125		400	250	210	8x18	51	400	41,2	173	267
150		480	285	240	8x22	74	480	61,3	208	380
200		600	340	295	12x22	139	600	124,6	370	670
50		230	165	125	4x20	10,8	230	6,5	90	43
65	25/40	290	185	145	8x22	16,9	290	11,6	105	71
80		310	200	160	8x24	24,1	310	17,8	125	112
100		350	235	190	8x24	35	350	25,9	145	174

Table 5 - Product codes - Valves in carbon steel

PN	Connection	Material body acc. to 3E0		Material body Acc. to 4E0	Material body Acc. to 5E0
		Seat 13Cr	Seat stellite	Seat stellite	Seat stellite
16	Flanged	C18* K31F 016-zzz**	C18* K35F 016-zzz	C18* K45F 016-zzz	C18* K55F 016-zzz
	BW-ends: Forged valve DN15-DN50	C28* K31B016-zzz	C28* K35B016-zzz	C28* K45B016-zzz	C28* K55B016-zzz
	BW-ends: from DN65-	C18* K31B016-zzz	C18* K35B016-zzz	C18* K45B016-zzz	C18* K55B016-zzz
25/40	Flanged	C18* K31F 040-zzz	C18* K35F 040-zzz	C18* K45F 040-zzz	C18* K55F 040-zzz
	BW-ends: Forged valve DN15-DN50	C28* K31B040-zzz	C28* K35B040-zzz	C28* K45B040-zzz	C28* K55B040-zzz
	BW-ends: from DN65-	C18* K31B040-zzz	C18* K35B040-zzz	C18* K45B040-zzz	C18* K55B040-zzz

*8= with spring in SS316, standard 0=without spring, **zzz=dimension 100=DN100

Table 6 - Product codes - Valves in stainless steel

PN	Connection	Material body CF8 acc. to 2C1		Material body CF8M acc. to 2C2	
		Seat SS304	Seat PTFE	Seat SS316	Seat PTFE
16	Flanged	C18* K72F 016-zzz	C18* K7PF 016-zzz	C18* K8AF 016-zzz	C18* K8PF 016-zzz
	BW-ends	C18* K72B016-zzz	C18* K7PB016-zzz	C18* K8AB016-zzz	C18* K8PB016-zzz
25/40	Flanged	C18* K72F 040-zzz	C18* K7PF 040-zzz	C18* K8AF 040-zzz	C18* K8PF 040-zzz
	BW-ends	C18* K72B040-zzz	C18* K7PB040-zzz	C18* K8AB040-zzz	C18* K8PB040-zzz

*8= with spring in SS316, standard 0=without spring

Adress:
EF Valves, Teknikringen 1b, 583 30
Linköping

Kontakt:
+46 (0) 703 22 56 36 / +46 (0) 13 21 10 10

info@efvalves.s
e
www.efvalves.s
e