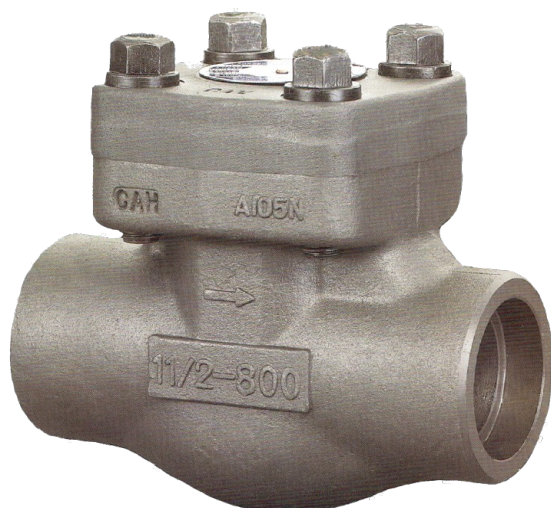


# GLOBE CHECK VALVE - type CK90Z

## ANSI STANDARD

CLASS 800-2500  
DN10-DN50



### Technical data

Dimension	DN10 to DN50
Material	A105, F11, F22
Pressure class	Class 800 - Class 2500
Temperature range	-20 to 595grdC
Connection	BW ANSI B16.25 SW ANSI B16.11 Thread NPT, ANSI B1.20.1
Seat	13Cr/13Cr 13Cr/Stellite Stellite/stellite

### Standards

Design and manufacture	API 602
Face to face	API/ASME
Flanges	ASME B16.5
Butt weld ends	EN 12627
Socket weld ends	ANSI B16.11
Thread ends	ANSI B1.20.1

### FEATURES

- Forged globe check valve in ANSI standard
- with full bore or reduced bore.
- Body and bonnet in forged carbon steel or alloy steel
- Bolted bonnet or welded bonnet
- Seat in 13Cr, 13Cr+stellite or full stellite
- Disc with spring
- Spiral-wound gasket, retained type
- Butt weld, socket weld or thread ends
- CE marked according to PED97/23/EC

### APPLICATION

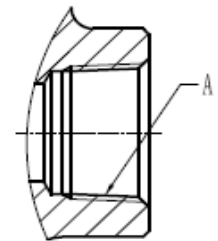
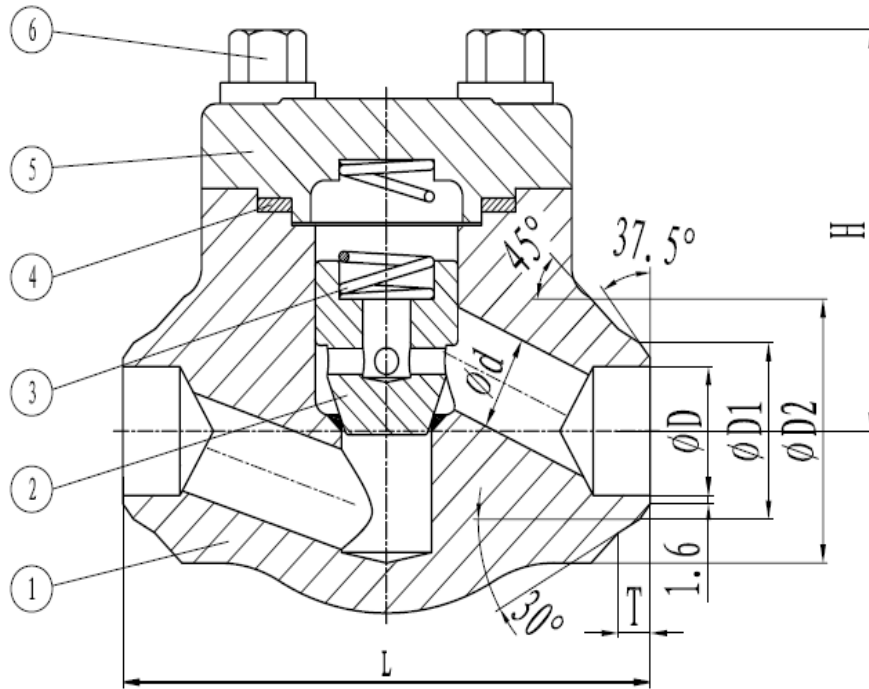
Water, steam, and other medium which not damage the internal components. Are used within all types of industries. The valves are designed for shut off application.

Table 1 - Pressure/temperature range according to EN 12516-6

Body material/ Bonnet	Class	RT	100	150	200	250	300	400	450	500	525	550	595
<b>Carbon steel</b> A105, 1C1	800	136,0	123,0	120,0	116,0	111,0	103,0	92,0	-	-	-	-	-
	1500	255,0	230,5	226,0	219,0	208,0	193,0	172,0	-	-	-	-	-
<b>Alloysteel</b> F11, 1C5	800	127,6	124,2	119,8	117,7	114,8	112	97	90	62,8	40	20	-
	1500	239,3	232,9	224,7	220,9	215,3	210,1	182,9	169,0	117,8	75,2	39,0	-
<b>Alloysteel</b> F11, 1C9	800	137,9	137,2	132,6	127,9	123,1	114	97,5	90	67,3	48	33,8	16,5
	1500	258,5	257,4	248,7	239,8	230,8	214,3	182,9	169,0	126,1	90,8	63,5	31,0
<b>Alloysteel</b> F11, 1C10	800	138,0	137,4	133,8	130,0	123,6	114,3	97,5	90,1	74,1	57,8	41,0	18,7
	1500	258,5	257,6	251,0	243,5	231,0	214,0	183,0	169,0	139,0	108,0	76,8	34,5
<b>Stainless steel</b> F304	800	138	108	92,0	87,0	82,0	76,0	74,0	71,0	64,0		58*	-
	1500	248	204	172	162	153	143	139	132	120		108*	-
<b>Stainless steel</b> F316	800	132	113	95,0	89,0	84,0	78,0	77,5	73,0	67,0		63,8*	-
	1500	248	211	178	167	158	147	146	137	126		119*	-

GLOBE CHECK VALVE - type CK90Z  
ANSI STANDARD

CLASS 800-2500  
DN10-DN50



SOCKET WELD OR THREAD END

Table 2 - Material specification

Pos	Details	Material	Material	Material	Material
1	Body	A105	A182 F11	A182 F22	F304 F316
2	Kone	A276 420-13Cr/STL	F11-13Cr/STL	F22-STL	SS 304-304 /STL SS316-316 /STL
3	Spring	A276 410	A276 410		A276 410
4	Gasket	ss 304+flexibel graphite	ss 304+flexibel graphite		Ss 316+flexibel graphite
5	Bonnet	A105	A182 F11	A182 F22	F304 F316
6	Bolt	A194-2H	A194-2H		A194-2H
	Seat	13Cr/STL	13Cr/STL	Full STL	SS304 /STL SS316 /STL

# GLOBE CHECK VALVE - type CK90Z

## ANSI STANDARD

CLASS 800-2500  
DN10-DN50



Table 3 - Class 800LB

Size		Reduced bore						Full bore					
DN	Inch	L	H (Open)	øD <sub>1</sub>	ød	øD <sub>2</sub>	Weight	L	H (open)	øD <sub>1</sub>	ød	øD <sub>2</sub>	Weight
10	3/8"	79	55	18	10	34	1,5	-	-	-	-	-	-
15	1/2"	79	55	22	10	34	1,4	92	55	22	13	40	1,9
20	3/4"	92	55	28	13	40	1,9	111	72	28	17,5	49	2,6
25	1"	111	72	34	17,5	49	2,6	120	81	34	23	58	4,2
32	1 1/4"	120	81	43	23	58	4,2	152	94	43	28,5	64	5,3
40	1 1/2"	152	94	49	28,5	64	5,3	172	112	49	35	78	9
50	2"	172	112	61	35	78	9	220	132	61	47	88	15,6

Table 4 - Class 1500LB

Size		Reduced bore						Full bore					
DN	Inch	L	H (Open)	øD <sub>1</sub>	ød	øD <sub>2</sub>	Weight	L	H (open)	øD <sub>1</sub>	ød	øD <sub>2</sub>	Weight
10	3/8"	79	73	18	10	34	2.2	-	-	-	-	-	-
15	1/2"	92	73	22	10	42	2.4	111	73	22	13	49	2.9
20	3/4"	111	73	28	13	49	2.9	120	84	28	17.5	58	4.6
25	1"	120	84	34	17.5	58	4.6	152	97	34	23	64	6.5
32	1 1/4"	152	97	43	23	64	6.5	172	115	43	28.5	78	10.5
40	1 1/2"	172	115	49	28.5	78	10.5	220	132	49	35	88	15.6
50	2"	220	132	61	35	88	15.5	250	132	61	47	88	17

Table 5 - Product codes - Valves in carbon steel

Pressure class lb/PN	Material body - carbon steel				Material body - stainless steel			
	Seat	A105 materialgrp 1C1	F1 materialgrp 1C6	F11 materialgrp 1C9	Seat	F304 materialgrp 2C1	Seat	F316 materialgrp 2C2
800/ PN130	13Cr	C20Z31B08W- zzz*	C20Z41B08W- zzz*	C20Z51B08W- zzz*	SS304	C20Z72B08W- zzz*	SS316	C20Z82B08W- zzz*
	13Cr/St	C20Z38B08W- zzz*	C20Z48B08W- zzz*	C20Z58B08W- zzz*	SS304/St	C20Z78B08W- zzz*	SS316/St	C20Z88B08W- zzz*
	St/St	C20Z35B08W- zzz*	C20Z45B08W- zzz*	C20Z55B08W- zzz*	St/St	C20Z75B08W- zzz*	St/St	C20Z85B08W- zzz*
1500/ PN250	13Cr	C20Z31B15W- zzz*	C20Z41B15W- zzz*	C20Z51B15W- zzz*	SS304	C20Z72B15W- zzz*	SS316	C20Z82B15W- zzz*
	13Cr/St	C20Z38B15W- zzz*	C20Z48B15W- zzz*	C20Z58B15W- zzz*	SS304/St	C20Z78B15W- zzz*	SS316/St	C20Z88B15W- zzz*
	St/St	G20Z35B15W- zzz*	G20Z45B15W- zzz*	G20Z55B15W- zzz*	St/St	G20Z75B15W- zzz*	St/St	G20Z85B15W- zzz*

\*dimension DN50 =050

Address:  
EF Valves AB,  
Teknikringen 1F,  
583 30 Linköping  
Sweden

Contact:  
mobile +46 (0) 703 22 56 36

info@efvalves.se  
www.efvalves.se