

# Mini flow Control Valve - type GV2MF

Pneumatic

PN15-PN40  
DN15



**ecoflo<sup>®</sup>-GV**  
Pneumatic Globe Valves

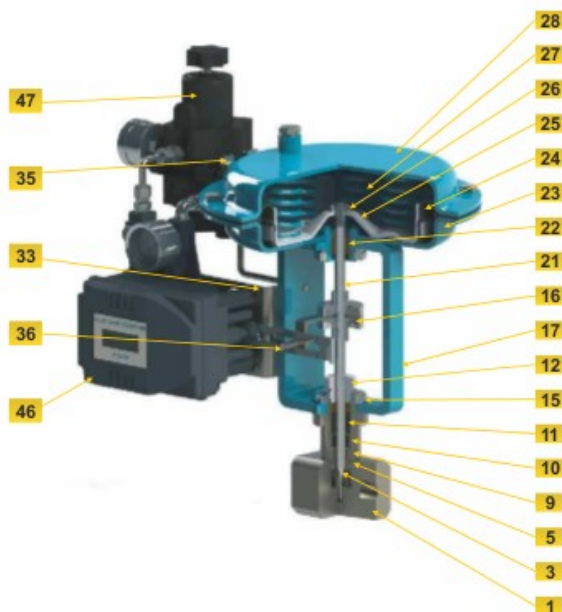
**EGE**  
INDUSTRIAL CONTROLS



## Micro-Flow Control Valves

GV2 series micro-flow control valves are used for the control of liquids, gases and steam, designed to have a process connection size of DN 15 (1/2"). These valves target the applications requiring Kvs values between 0.1 – 4.0 (Cv values between 0.1 – 4.6), in other words, control of very low flowrates. Main areas of use are R&D studies and system prototype tests for industrial enterprises, universities and research institutes, whereas the valves can be used directly in the process as well, thanks to its industrial design.

GV2 series micro-flow control valves are used as a regulation valve with integration of a electro-pneumatic positioner, either conventional analog type or advanced digital type with full programmability functions as well as digital interfaces for remote programming, data acquisition and supervision.



**TYPICAL SECTIONAL DRAWING**  
(Materials of construction may change depending on application)

Part No	Part Name	Material
1	Body	AISI 304 / 316
3	Trim	AISI316
5	Body Seal	GRAPHITE
9	Bonnet	AISI304 / 316
10	Packing Spring	AISI316
11	Packing	PTFE, GRAPHITE
12	Packing Nut	S.S.
15	Yoke Nut	S.S.
16	Coupling	S.S.
17	Yoke	ST37
21	Actuator Stem	S.S.
22	Pneumatic Seals	NBR
23	Actuator Lower Case	C.STEEL
24	Diaphragm	NBR REINFORCED
25	Piston	C.STEEL
26	Piston Nut	S.S.
27	Actuator Spring	SPRING STEEL
28	Actuator Upper Case	C.STEEL
33	Positioner Bracket	S.S.
35	Limit Switch Bracket	S.S.
36	Pin	S.S.
46	Positioner	-
47	Filter Regulator	-

# Mini flow Control Valve - type GV2MF

Pneumatic

PN15-PN40  
DN15



Table 9 - Produktkode. Rostfritt och syrafast stål

PN	Anslutning	Materialhus CF8 Enl. 2C1		Materialhus CF8M Enl. 2C2	
		Säte SS316	Säte RPTFE	Säte SS316	Säte RPTFE
<b>16</b>	Fläns	BC11L741F016Y*	BC11L7R1F016Y*	BC11L841F016Y*	BC11L8R1F016Y*
	Inspänning	BC11L741W016Y*	BC11L7R1W016Y*	BC11L841W016Y*	BC11L8R1W016Y*
<b>25</b>	Fläns	BC11L741F025Y*	BC11L7R1F025Y*	BC11L841F025Y*	BC11L8R1F025Y*
	Inspänning	BC11L741W025Y*	BC11L7R1W025Y*	BC11L841W025Y*	BC11L8R1W025Y*
<b>40</b>	Inspänning	BC11L741W040Y*	BC11L7R1W040Y*	BC11L841W040Y*	BC11L8R1W040Y*

\*Y=, F för naken spindel med ISO-fläns, S för enkelverkande pneum. Don, D för dubbelverkande pneum. don