

BUTTERFLY VALVE LINED CONCENTRIC VALVES

PN10-PN16
DN40-DN1200



GENERAL CHARACTERISTICS

Lined butterfly valve with one-piece blow-out proof shaft.
One-piece body with concentric disc.
Wafer type upto DN1000
Lugged up to DN600
U-flanged DN400 to DN1200
Hand lever, gear box or naked stem for actuator
The lining can be vulcanized to the body
Flange according to EN 1092-1 or ANSI-standard.
CE-certified according to PED97/23/EC
Certificate according to EN10204 at order

APPLICATIONS

HVAC, Water Supply and Sewage, Ship building.
Water, air and other neutral gases, and non-dangerous fluids.
To be used as shut-off or simple control.

Technical data

Size	DN 40 - DN 1200
Pressure class	PN16 DN40 - DN300
PN10	DN350-DN1200
Temperature	-20 °C to +110°C
Material body	Cast iron, Ductile iron, CS, SS
Disc	Ductile iron+Ni , CF8, CF8M, Al-bronze
Liner	EPDM-H, NBR, Viton, Silicon, etc
Face to Face	EN558-1, serie 20
Testing	EN 12266-1
Operation	Lever, gearbox, pneumatic and el- actuator
Actuator flange	ISO 5211

Table 1. Material specification

Pos	Part name	Material
1	Body	Cast iron, Ductile iron, Carbons steel, Stainless steel
2	Seat (liner)	NBR, EPDM, Viton, Nitril, Neopren, Silicon
3	Shaft	Stainless steel 410, 316 or 17-4PH
4	Disc	Ductile iron+nl, CF8, CF8M, Al-Bronze
5	Pin	Stainless steel
6	Bushing	PTFE, Bronze
7	O-ring	NBR, EPDM

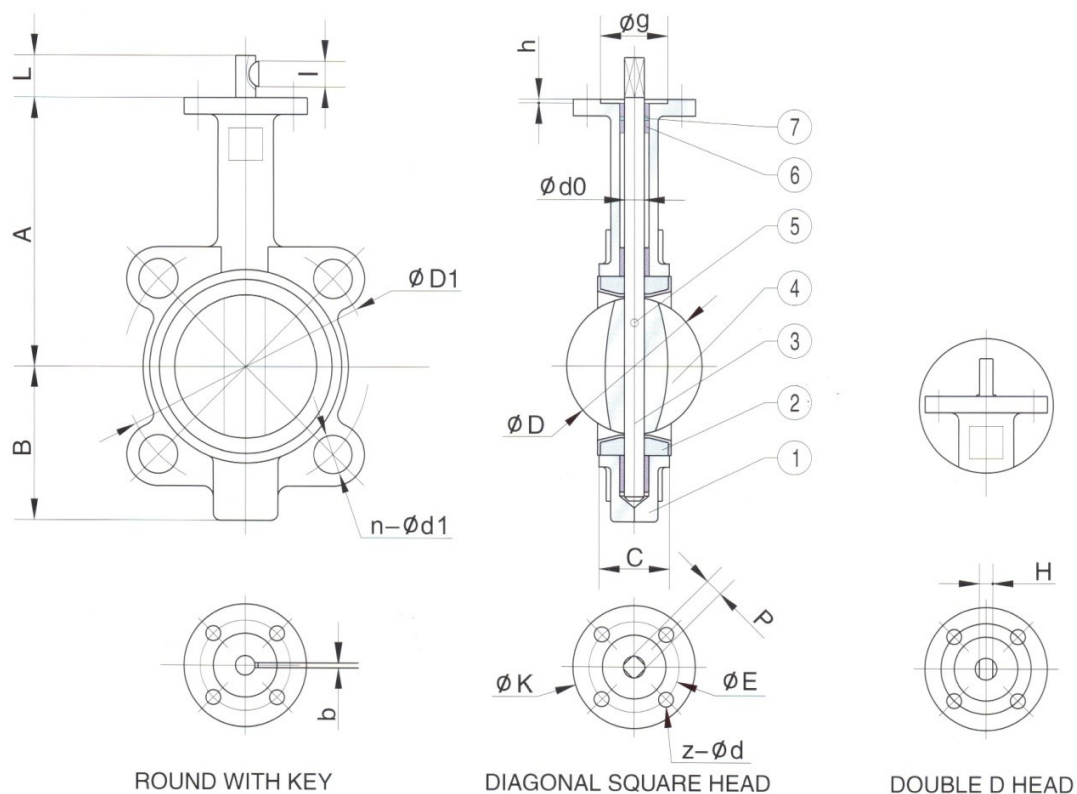
BUTTERFLY VALVE

LINED CONCENTRIC VALVES

PN10-PN16
DN40-DN1200



WAFER TYPE



ROUND WITH KEY

DIAGONAL SQUARE HEAD

DOUBLE D HEAD

Table 2. Wafer type

Size		PN	A	B	C	D	L	P	H	Stem		Flange		Actuator Flange					Weight	
DN	Inch	bar	mm	mm	mm	mm	mm	mm	mm	d0	Key BxL	D1	n-d1	K	E	z-d	g	h	ISO 5211	kg
40	1 1/2"	16	145	75	33	42	32	9	10	12,6	3x16	110	4x18	77	50	4-7	35	3	F05	2,2
50	2"	16	161	80	42	52	32	9	10	12,6	3x16	125	8x18	77	50	4-7	35	3	F05	2,5
65	2 1/2"	16	175	89	45	65	32	9	10	12,6	3x16	145	8x18	77	50	4-7	35	3	F05	3,2
80	3"	16	181	95	45	79	32	9	10	12,6	3x16	160	8x18	77	50	4-7	35	3	F05	3,6
100	4"	16	200	114	52	104	32	11	12	15,7	5x19	180	8x18	90	70	4-9	55	3	F07	4,9
125	5"	16	213	127	55	123	32	14	14	18,9	5x19	210	8x18	90	70	4-9	55	3	F07	7
150	6"	16	226	139	56	156	32	14	14	18,9	5x19	240	8x22	90	70	4-9	55	3	F07	7,8
200	8"	16	260	175	61	203	45	17	17	22,1	5x19	295	12x22	125	102	4-12	70	3,5	F10	13,2
250	10"	16	292	203	66	250	45	22	22	28,5	8x28	355	12x26	125	102	4-12	70	3,5	F10	19
300	12"	16	337	242	77	301	45	22	24	31,6	8x28	410	12x26	140	102	4-12	70	3,5	F10	33
350	14"	16	368	267	77	333	45	22	24	31,6	8x28	470	16x26	140	102	4-12	70	3,5	F10	41
400	16"	10	400	309	102	390	51	24	24	33,1	8x28	525	16x26	197	140	4-18	100	4	F14	61
450	18"	10	422	328	114	440	51	27	27	38	8x28	585	20x26	197	140	4-18	100	4	F14	79
500	20"	10	480	361	127	492	64	32	32	41,1	8x28	650	20x26	197	140	4-18	100	4	F14	128
600	24"	10	562	459	152	592	70	36	36	50,7	8x28	770	20x30	276	165	4-23	130	5	F16	188
700	28	10	624	520	163	695	66	-	-	55	18x63	840	24x30	300	254	8-18	200	5,5	F25	284
800	32	10	672	591	188	795	66	-	-	55	18x63	950	24x33	300	254	8-18	200	5,5	F25	368
900	36	10	720	656	203	865	118	-	-	75	20x100	1050	28x33	300	254	8-18	200	5,5	F25	713
1000	40	10	800	721	216	965	150	-	-	85	25x140	1170	28x36	300	254	8-18	200	5,5	F25	864

BUTTERFLY VALVE

LINED CONCENTRIC VALVES

PN10-PN16
DN40-DN1200

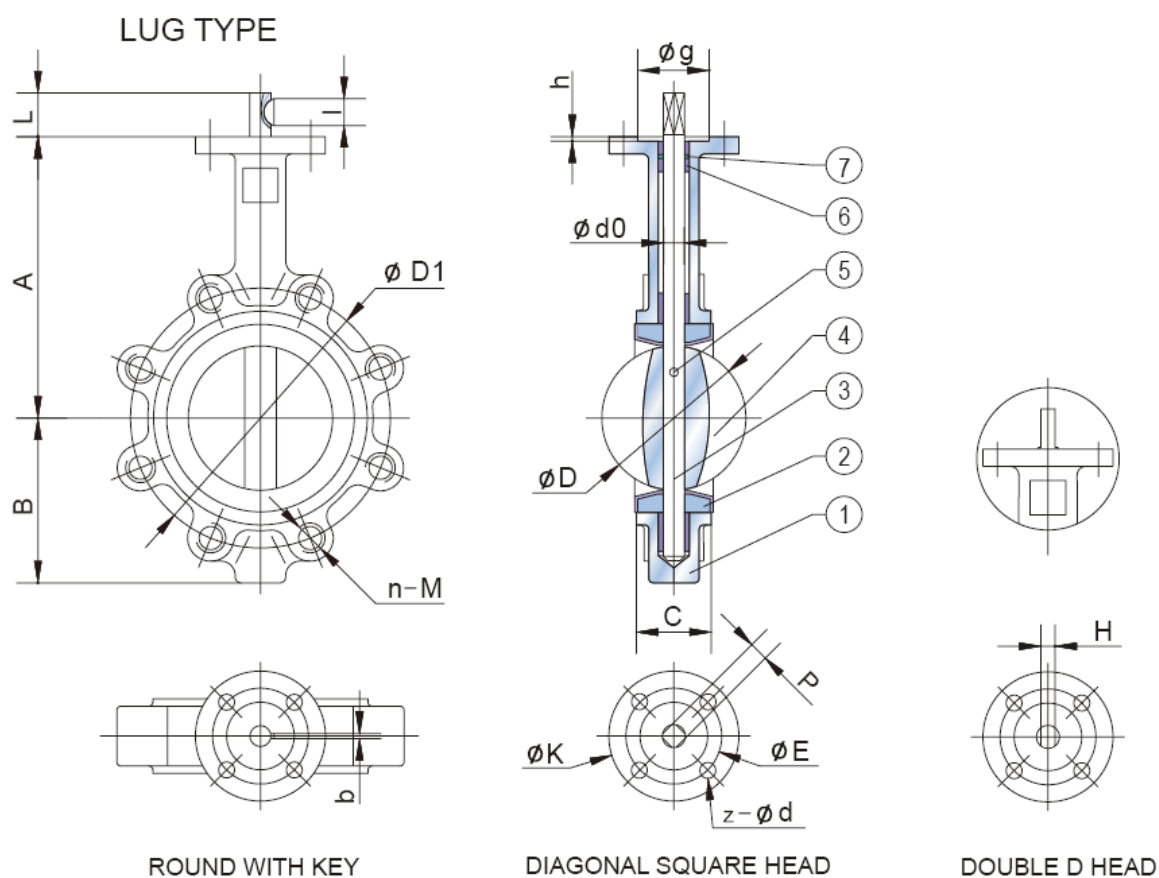


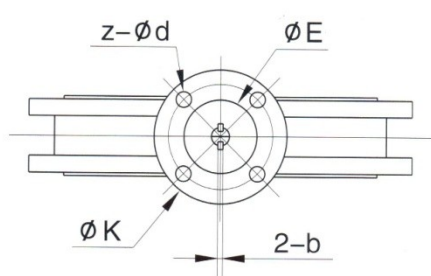
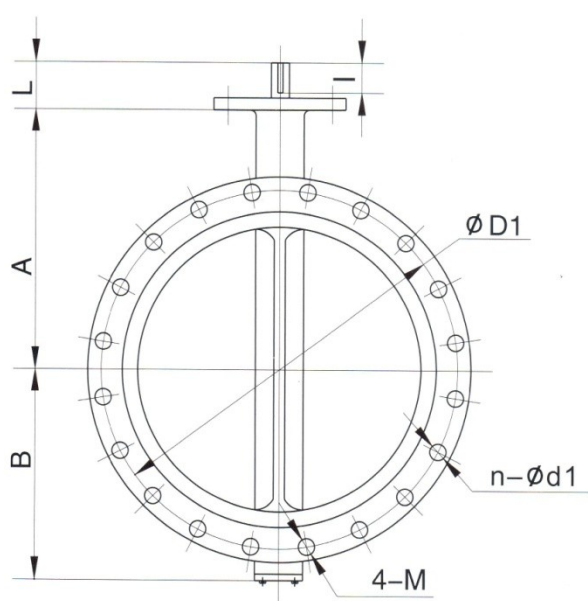
Table 3 - Lug type

Size	PN	A	B	C	D	L	P	H	Stem		Flange		Actuator Flange					Weight		
									d0	Key b x l	D1	n-d1	K	E	z-d	g	h		ISO 5211	
DN	Inch	bar	mm	mm	mm	mm	mm	mm	mm	mm	mm	mm	mm	mm	mm	mm	mm	mm	kg	
40	1 1/2"	16	145	75	33	42	32	9	10	12,6	3x16	110	4x18	77	50	4-7	35	3	F05	3,2
50	2"	16	161	80	42	52	32	9	10	12,6	3x16	125	8x18	77	50	4-7	35	3	F05	3,8
65	2 1/2"	16	175	89	45	65	32	9	10	12,6	3x16	145	8x18	77	50	4-7	35	3	F05	4,2
80	3"	16	181	95	45	79	32	9	10	12,6	3x16	160	8x18	77	50	4-7	35	3	F05	4,7
100	4"	16	200	114	52	104	32	11	12	15,7	5x19	180	8x18	90	70	4-9	55	3	F07	9
125	5"	16	213	127	55	123	32	14	14	18,9	5x19	210	8x18	90	70	4-9	55	3	F07	10,9
150	6"	16	226	139	56	156	32	14	14	18,9	5x19	240	8x22	90	70	4-9	55	3	F07	14,2
200	8"	16	260	175	61	203	45	17	17	22,1	5x19	295	12x22	125	102	4-12	70	3,5	F10	18,2
250	10"	16	292	203	66	250	45	22	22	28,5	8x28	355	12x26	125	102	4-12	70	3,5	F10	26,8
300	12"	16	337	242	77	301	45	22	24	31,6	8x28	410	12x26	140	102	4-12	70	3,5	F10	40
350	14"	16	368	267	77	333	45	22	24	31,6	8x28	470	16x26	140	102	4-12	70	3,5	F10	56
400	16"	10	400	309	102	390	51	24	24	33,1	8x28	525	16x26	197	140	4-18	100	4	F14	96
450	18"	10	422	328	114	440	51	27	27	38	8x28	585	20x26	197	140	4-18	100	4	F14	122
500	20"	10	480	361	127	492	64	32	32	41,1	8x28	650	20x26	197	140	4-18	100	4	F14	202
600	24"	10	562	459	152	592	70	36	36	50,7	8x28	770	20x30	276	165	4-23	130	5	F16	270

BUTTERFLY VALVE

LINED CONCENTRIC VALVES

PN10-PN16
DN40-DN1200



ROUND WITH KEY

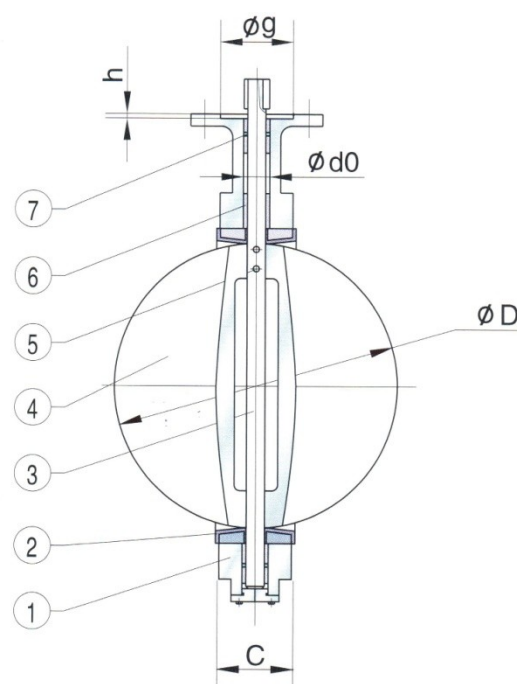


Table 4. U-flange type

Size		PN	A	B	C	D	L	Stem		Flange		Actuator Flange						Weight	
DN	Inch	bar	mm	mm	mm	mm	mm	d0	Key bxl	D1	n-d1	K	E	z-d	g	h	ISO	kg	
																		5211	
400	16	10	400	309	86,5	390	51	33,2	10x35	515	16-27	197	140	4-18	100	4	F14	83	
450	18	10	422	328	106	440	51	38	10x35	565	20-27	197	140	4-18	100	4	F14	120	
500	20	10	480	361	132	492	64	41,2	10x35	620	20-27	197	140	4-18	100	4	F14	170	
600	24	10	562	459	152	592	70	50,7	16x50	725	20-30	275,6	165	4-23	130	5	F16	245	
700	28	10	624	520	163	695	66	55	18x53	840	24-30	300	254	8-18	200	5,5	F25	406	
800	32	10	672	591	188	795	66	55	18x53	950	24-33	300	254	8-18	200	5,5	F25	566	
900	36	10	720	656	203	865	118	75	20x100	1050	28-33	300	254	8-18	200	5,5	F25	728	
1000	40	10	800	721	216	965	142	85	25x140	1160	28-36	300	254	8-18	200	5,5	F25	815	
1200	48	10	941	844	276	1161	150	105	28x140	1380	32-39	350	298	8-22	230	5,5	FF30	1529	

BUTTERFLY VALVE

LINED CONCENTRIC VALVES

PN10-PN16
DN40-DN1200

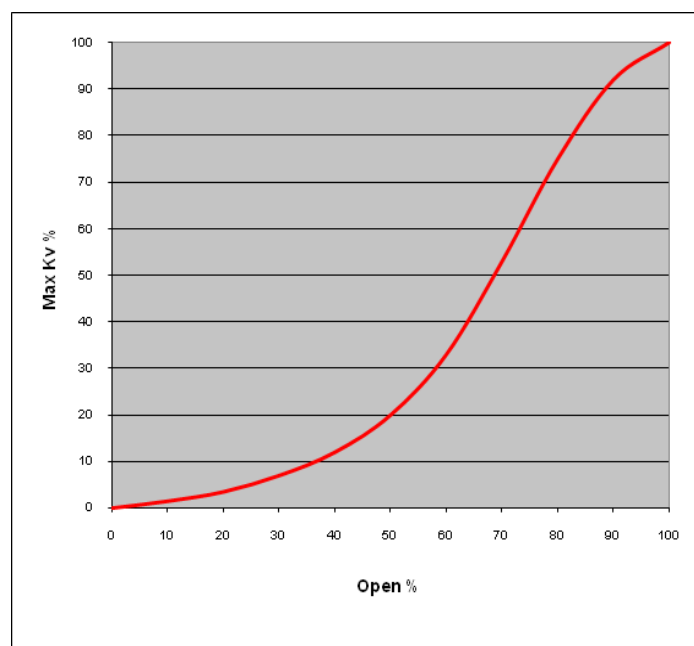


Table 5 - Liner data

Liner	Temperature range	Applications
EPDM	-20°C to +95°C	Warm water, air, neutral gases, weak acids and alkalis
EPDM-H	-30°C to +130°C	Hot water, air, neutral gases, weak acids and alkalis
NBR (Nitril)	-10°C to +70°C	Water, oil, fuels, aromatic hydrocarbons, neutral gases
Viton	-20°C to +150°C	Hydrocarbon, oil, acids, high temperature liquid and air
Natur rubber	-20°C to +80°C	Poder, Hydrocarbon, oil, alkali
Silicon	-20°C to +180°C	Hot water, air, neutral gases

Table 7- Flow capacity at full open valve

Size		Kv m ³ /h	Cv US gal/min
DN	Inch		
40	1 1/2"	110	130
50	2	180	210
65	2 1/2	300	350
80	3	420	490
100	4	740	860
125	5	1200	1385
150	6	1750	2050
200	8	2800	3300
250	10	4600	5400
300	12	6900	8100
350	14	8200	9500
400	16	1100	12900
450	18	14100	16500
500	20	18000	21000
600	24	24500	28600
700	28	34500	40100
800	32	43900	51300
900	36	53900	63000
1000	40	66700	78000
1200	44	96000	112000



Address EF Valves AB
Teknikringen 1F
583 30 Linköping
Sweden

Contact: +46 (0) 703 22 56 36
info@efvalves.se
www.efvalves.se